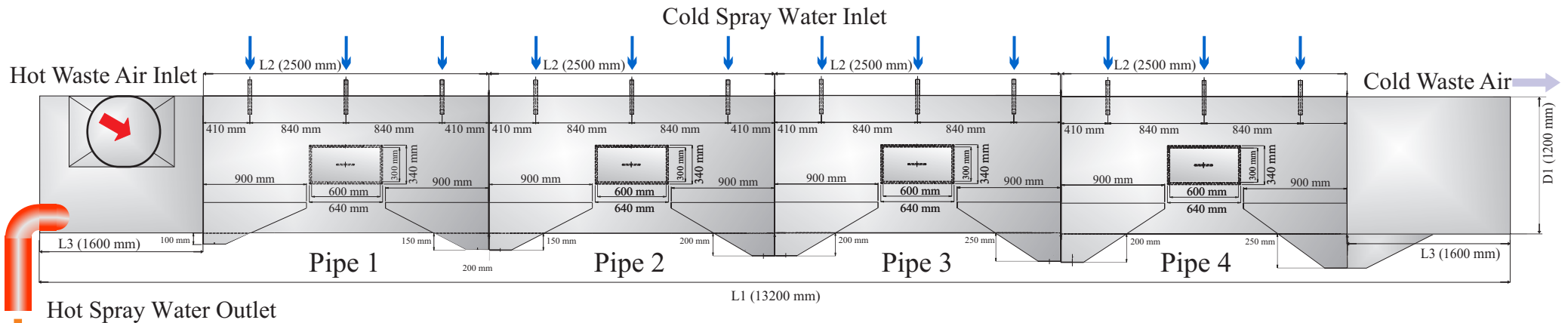
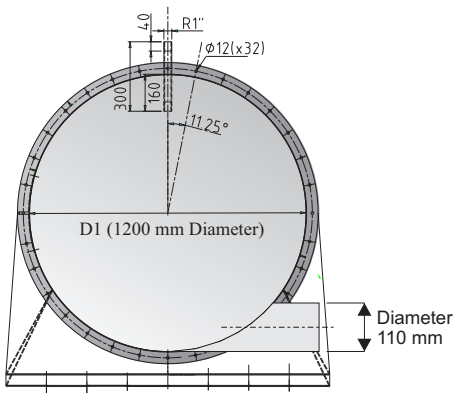


# Datasheet: FERNETT - Waste Air Heat Exchanger Type MONSUN (1)



Measures of the drawing correspond to a FERNETT-MONSUN Type 1  
 Dimensions and data for other MONSUN Types are listed in the table below.  
 The modular assembly and the proportions stay the same with all types.



Sectional View

MONSUN TYPE	Capacity		Diameter ( D1 )	Length ( L1 )	Length of Main Pipes ( L2 )	Length of End Modules (Inlet and Outlet) ( L3 )	Total Weight
	Waste Air / Hour	Washing / Day					
<b>1</b>	20.000 - 25.000 m <sup>3</sup>	20 - 25 t	1200 mm	13200 mm	2500 mm	1600 mm	1800 kg
<b>2</b>	15.000 - 20.000 m <sup>3</sup>	15 - 20 t	1050 mm	11500 mm	2180 mm	1390 mm	1500 kg
<b>3</b>	10.000 - 15.000 m <sup>3</sup>	10 - 15 t	850 mm	9400 mm	1780 mm	1140 mm	1200 kg
<b>S</b>	5.000 - 10.000 m <sup>3</sup>	5 - 10 t	600 mm	6600 mm	1250 mm	800 mm	1000 kg
<b>XS</b>	3.000 - 5.000 m <sup>3</sup>	3 - 5 t	450 mm	5100 mm	970 mm	610 mm	800 kg