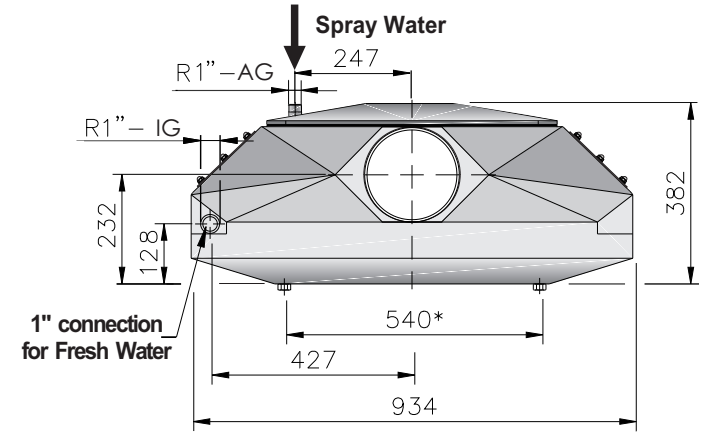
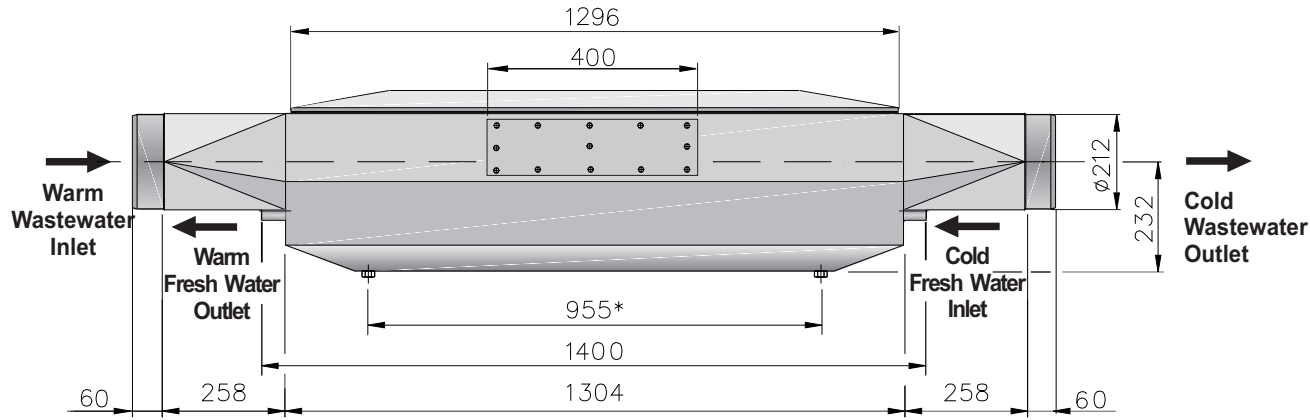


Datasheet: FERNETT Wastewater Heat Exchanger Type ZWT 980



Casing made of 2mm thick Acid-Resistant Stainless Steel

* Measures for Mounting

Weight: approx. 366 lb (166 kg)

