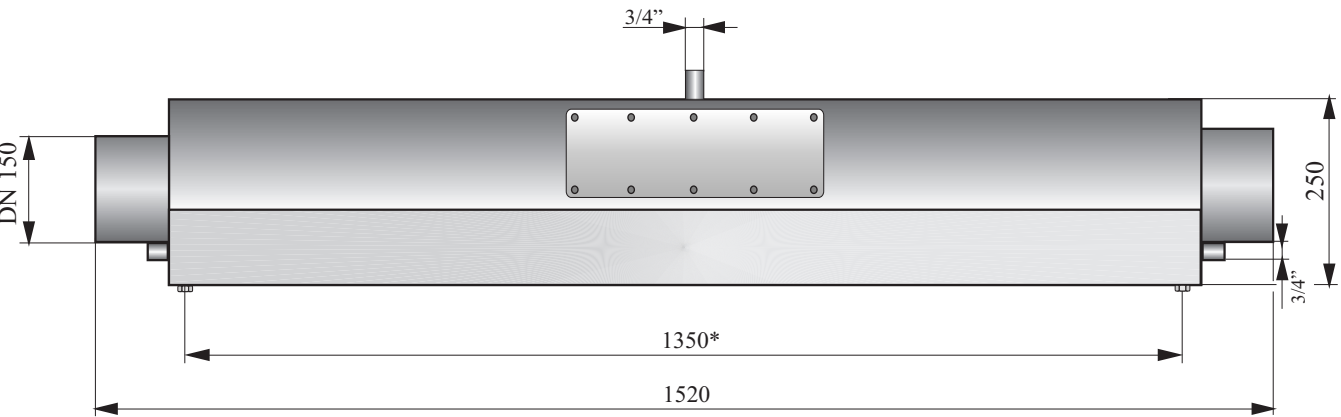
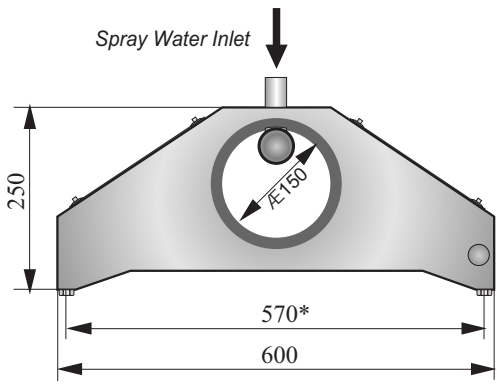


Datasheet: FERNETT Wastewater Heat Exchanger Type ZWT - 400

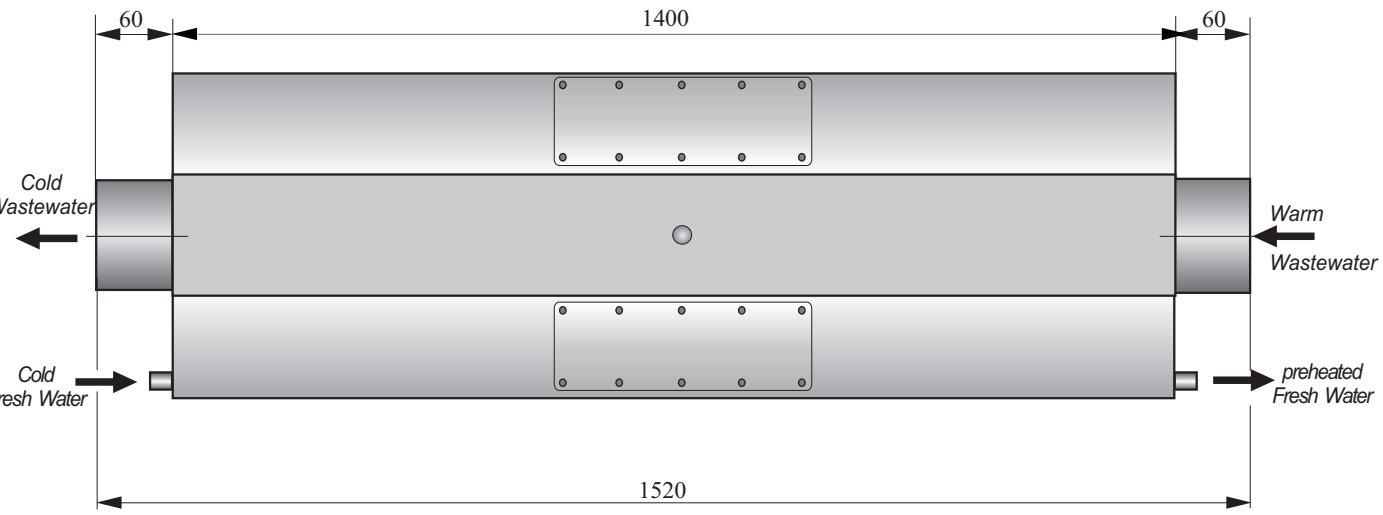


* Measures for Mounting



Casing: 2mm thick acid-resistant stainless steel

Weight: approx. 150 lb (68 kg)



Pressure Loss Characteristics

