

Dokumentation

FERNETT Wastewater Heat Recovery

Type FB-8/W

SALESIANER

Industrial Laundry in Villach / Austria

***FERNETT - Wastewater Heat Exchanger Type FB-8/W
SALESIANER - Industrial Laundry Villach / Austria***



FERNETT - Wastewater Heat Exchanger Type FB-8/W SALESIANER - Industrial Laundry Villach / Austria



Connections from above to below:

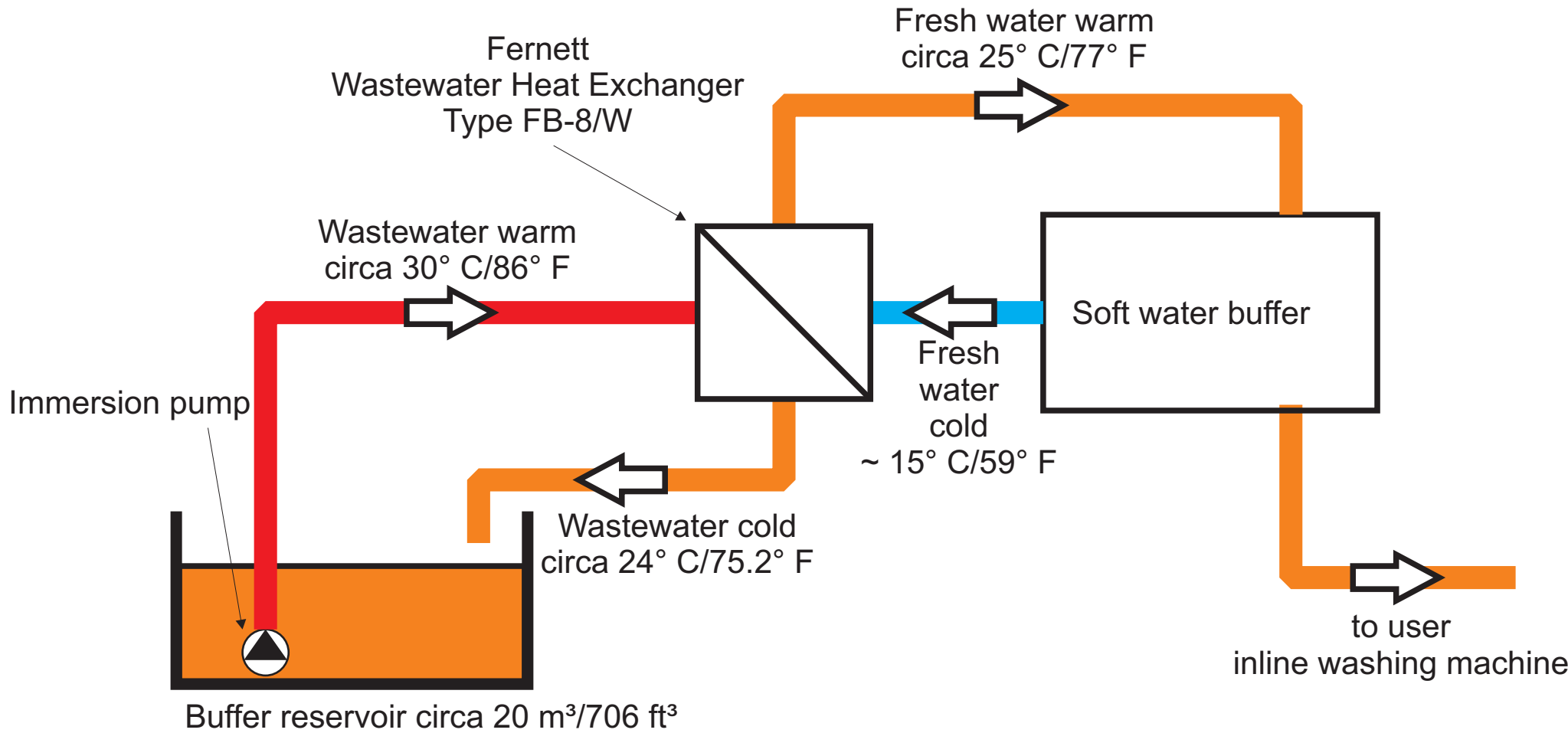
- * Wastewater IN (from immersion pump)
- * Fresh water WARM out
- * Fresh water COLD in
- * Wastewater OUT (PVC pipe)



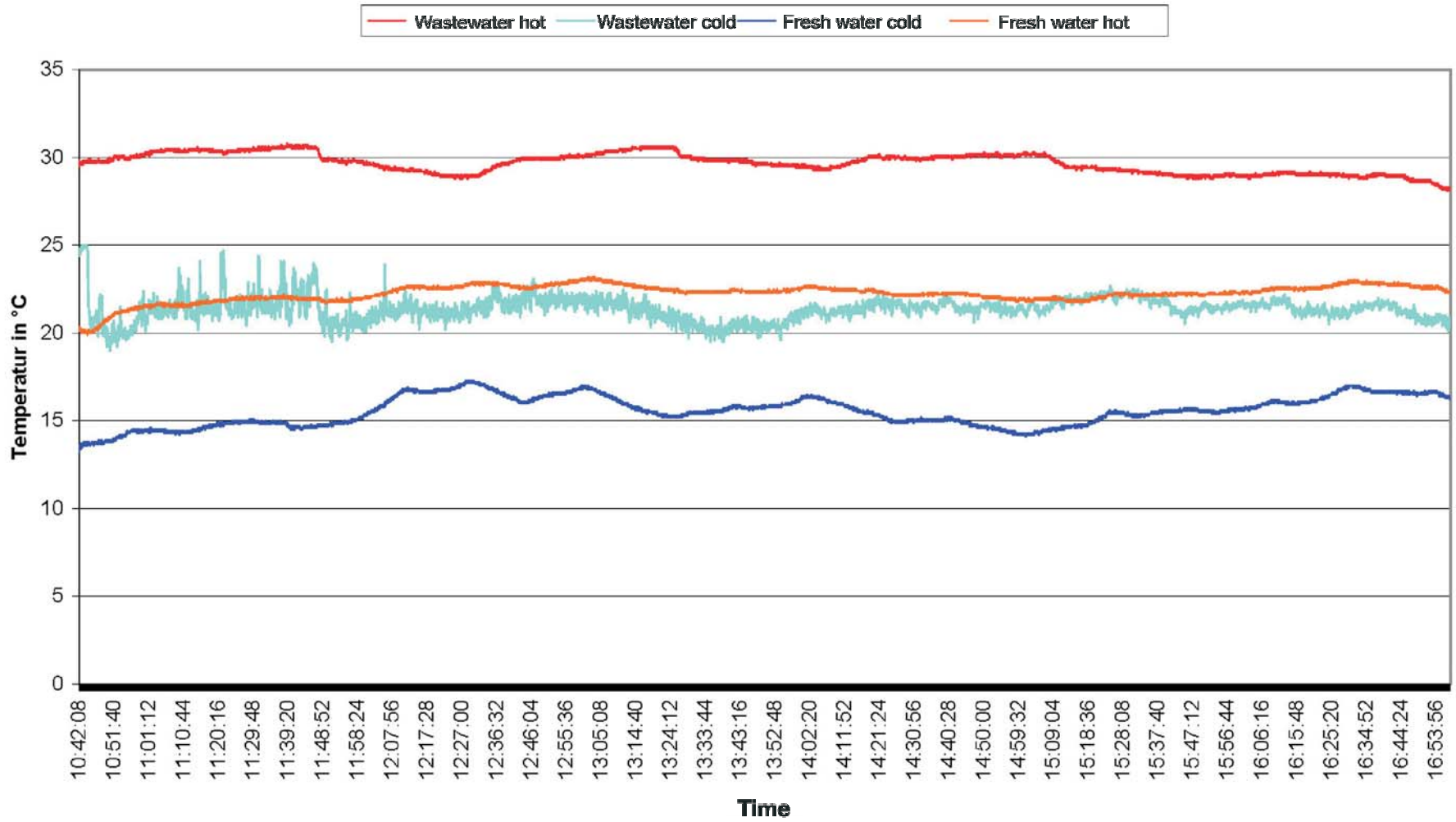
Fernett Wastewater Heat Exchanger Type FB-8/W

- * Mounted in elevated position due to space restrictions
- * Covers can be removed at any time for inspections

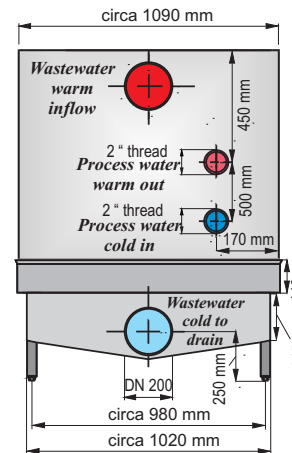
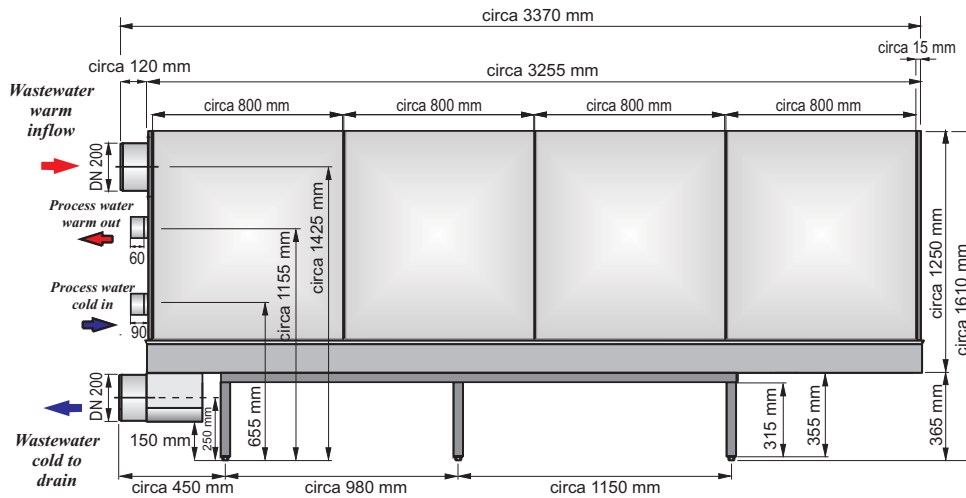
Schematic



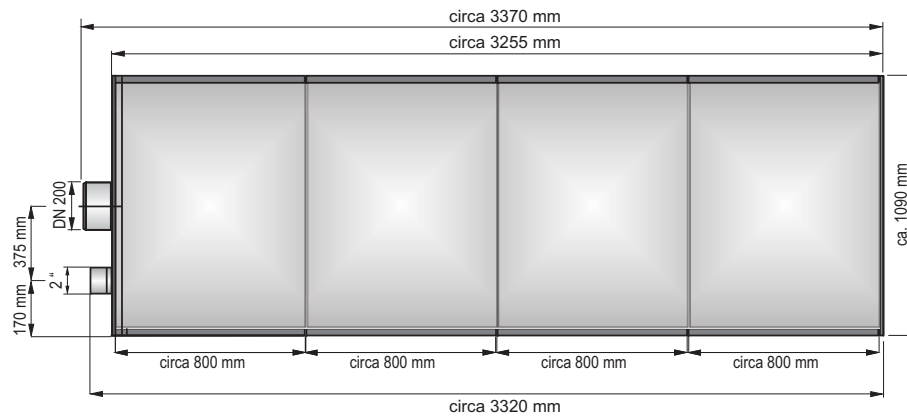
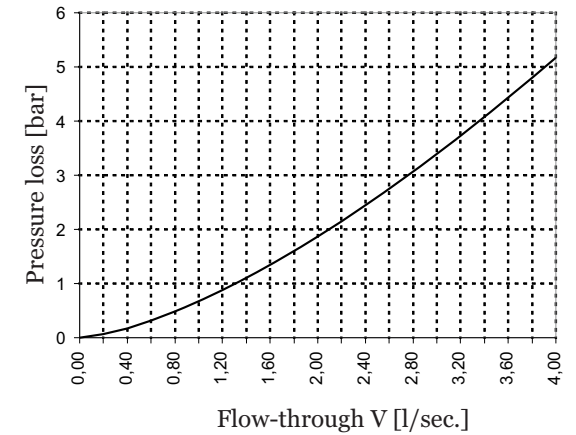
Salesianer Industrial Laundry Arnoldstein July 18, 2005



Data sheet for FERNETT - Wastewater Heat Exchanger Type FB-8/W 8 Norm Absorber



Pressure loss process water:



Subject to technical modifications

Characteristic temperature curves:

